



Improving your PERFORMANCE

620S, 620SN, 620U, 620UN, 620Du and 620DuN with 620R, 620RE and 620RE4 pumpheads

Features and Benefits

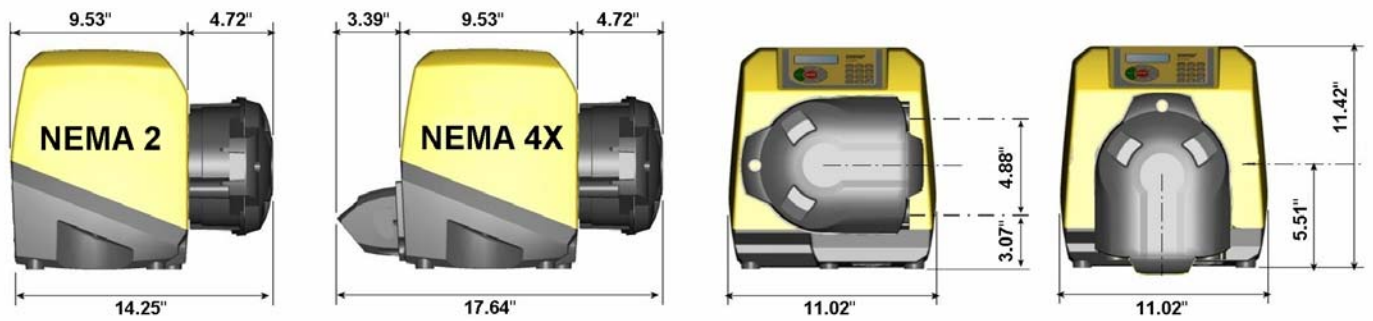
- Flow from 0.001 l/min to 18 l/min (0.0003 gpm to 4.75 gpm)
- Pressures up to 60 psi with LoadSure™ elements
- 2650:1 control ratio (0.1 to 265 rpm speed range)
- User friendly keypad with precise digital speeds in 0.1rpm increments
- Display option of pump speed or calibrated flow rate
- MemoDose feature for accurate single-shot dispensing
- Tough, impact resistant pumphead with tool-lockable guard and wireless switching for ultimate safety
- Retractable stainless steel rollers for CIP, SIP and effortless tube loading
- Rugged, corrosion-free enclosure has no areas for contamination
- Maintenance free closed-loop controlled brushless DC motor
- Value for life supported by 3 year warranty



Functionality	620S	620SN	620U	620UN	620US	620Du	620DuN	620DuS
Enclosure - ingress protection rating	NEMA 2	NEMA 4X	NEMA 2	NEMA 4X	NEMA 4X	NEMA 2	NEMA 4X	NEMA 4X
Manual control								
Digital speed control with simple calibration to display flow	•	•	•	•	•	•	•	•
Choice of flow rate display; metric or imperial units						•	•	•
Numeric keypad for entry of speed, flow or PIN						•	•	•
Remote control								
Run/stop, direction change, auto/manual mode, MemoDose (via contact closure or 5V TTL to 24V industrial logic unless stated)			•	•	110V AC	•	•	110V AC
Leak detector input (via contact closure or 5V TTL to 24V logic)			•	•	•	•	•	•
Analog speed control								
Software programmable inputs; 0-10V, 1-5V or 4-20mA			•	•	•	•	•	•
Analog outputs; 0-10V (8 bit resolution)			•	•	•	•	•	•
Analog outputs; 0-10V, 4-20mA (high resolution)						•	•	•
Keypad/analog input scaling (replacement of diaphragm pumps)						•	•	•
Tachometer output; 0-1478Hz			•	•	•	•	•	•
Digital communication								
Four programmable digital status outputs; NO/NC (30W)				•			•	
Four programmable digital status outputs; NO/NC (130VAC, 2A)					110V AC			110V AC
Digital network control						RS232	RS485	RS485
Security								
Basic security code to protect set-up			•	•	•			
Dual operator/supervisor PIN code protection of pump settings						•	•	•

Flow ranges (l/min)*	Continuous tubing				LoadSure™ element tubing			
	620R (2 rollers)				620RE (2 rollers)		620RE4 (4 rollers)	
Tubing material, Tubing bore (mm)	6.4mm	9.6mm	12.7mm	15.9mm	12mm	17mm	12mm	17mm
Marpene TM, Bioprene TM					0.004-9.8	0.01-16	0.003-8.3	0.004-11
Marpene TL, Bioprene TL	0.001-3.4	0.003-6.6	0.004-11	0.01-12	0.004-9.8	0.01-18	0.003-8.3	0.005-12
Pumpsil® silicone	0.001-3.2	0.003-7.2	0.004-11	0.01-15	0.004-10	0.01-16	0.003-8.7	0.004-11
Sta-Pure™, Chem-Sure™, Neoprene	0.001-3.2	0.003-6.6	0.004-11	0.01-16	0.004-11	0.01-18	0.003-9.0	0.010-13

* 1 liter = 0.264 gallons



Technical specification		
	620S, 620U and 620Du	620SN, 620UN, 620US, 620DuN, 620DuS
Ingress rating	NEMA 2	NEMA 4X
Enclosure	Wipedown, vented	Watertight, dustproof
Suitability	Dry industrial environments with non-corrosive atmospheres	Corrosion resistant for heavy industrial environments
Humidity	(Non-condensing) 80% to 88°F(31°C), decreasing linearly to 50% at 104°F(40°C)	(Condensing) 10-100% RH
Temperature	40°F to 104°F (5°C to 40°C)	40°F to 104°F (5°C to 40°C)
Pump weight	43.2 lb with 620R, 620RE 44.3 lb with 620RE4	45.2 lb with 620R, 620RE 46.3 lb with 620RE4
Control ratio	2650:1	2650:1
Power rating	250 VA	250 VA
Noise	< 70dB(A) at 1m	< 70dB(A) at 1m
Standards	CE, cETL _{US} (control number 3050250)	CE, cETL _{US} (control number 3050250)
Power supply	100-120V/200-240V, 1ph, 50/60Hz	100-120V/200-240V, 1ph, 50/60Hz

Materials of construction	
Keypad	Polyester
Switch-plate	ABS PA-765
Rear blanking plate	Stainless steel 316
Drive casework	Pressure die-cast aluminum (top - LM6, base - LM24)
Case work coating	Alocrom pre-treatment, exterior grade polyester powder coat
Drive shaft	Stainless steel 440C
Pumphead track	Powder coated aluminum LM24
Guard - inner/outer	Grilamid TR55/Polyurethane PBA
Rotor hub, roller arms	Fortron 1140L4 (PPS)
Rotor cover	DuPont Hytel G5544
Rollers - main/guide	Stainless steel 303/Nylatron
Main roller bearings	Carbon steel
Tube clamp sets	Polypropylene

Order information - product codes							
	620R MkII head	620RE MkII head	620RE4 MkII head	Accessories			
Pumphead only	063.4211.000	063.4231.000	063.4431.000	Footswitch	Handswitch	RS232 cable	Tube monitor
NEMA 2 wipe-down pumps				NEMA 2	NEMA 2	NEMA 2	NEMA 2
620S	060.4131.02A	060.4131.E2A	060.4131.E4A	n/a	n/a	n/a	n/a
620U	060.4141.02A	060.4141.E2A	060.4141.E4A	059.3002.000	059.3022.000	n/a	059.4501.520
620Du	060.4151.02A	060.4151.E2A	060.4151.E4A	059.3002.000	059.3022.000	059.3121.000	059.4501.520
NEMA 4X wash-down pumps				NEMA 12			NEMA 4X
620SN	060.413N.02A	060.413N.E2A	060.413N.E4A	n/a	n/a	n/a	n/a
620UN	060.414N.02A	060.414N.E2A	060.414N.E4A	069.5231.000	n/a	n/a	059.450N.520
620US	060.414S.02A	060.414S.E2A	060.414S.E4A	069.5231.000	n/a	n/a	059.450N.520
620DuN	060.415N.02A	060.415N.E2A	060.415N.E4A	069.5231.000	n/a	n/a	059.450N.520
620DuS	060.415S.02A	060.415S.E2A	060.415S.E4A	069.5231.000	n/a	n/a	059.450N.520

Tubing material	Continuous tubing (for 620R pumphead)				Sanitary LoadSure™ elements (3/4" Tri-clamp PVDF connectors)		Industrial LoadSure™ elements (3/4" Cam & Groove Polypro connectors)	
	6.4mm	9.6mm	12.7mm	15.9mm	12mm	17mm	12mm	17mm
Sta-Pure	960.0064.032	960.0096.032	960.0127.032	960.0159.032	960.0120.PFT	960.0170.PFT		
Chem-Sure	965.0064.032	965.0096.032	965.0127.032	965.0159.032	965.0120.SST*	965.0170.SST*		
Bioprene™					903.P120.PFT	903.P170.PFT		
Bioprene TL	903.0064.032	903.0096.032	903.0127.032	903.0159.032	903.0120.PFT	903.0170.PFT		
Marprene™							902.P120.PPC	902.P170.PPC
Marprene TL	902.0064.032	902.0096.032	902.0127.032	902.0159.032			902.0120.PPC	902.0170.PPC
Pumpsil silicone	913.A064.032	913.A096.032	913.A127.032	913.A159.032	913.A120.PFT	913.A170.PFT	913.A120.PPC	913.A170.PPC
Neoprene	920.0064.032	920.0096.032	920.0127.032	920.0159.032			920.0120.PPC	920.0170.PPC
PVC	950.0064.032	950.0096.032	950.0127.032	950.0159.032				
Fluorel	970.0064.032	970.0096.032	970.0127.032	970.0159.032				

Note: Sta-pure™, Chem-Sure™ and TM elements rated for 60psi pressure, *SST = stainless steel connectors



All flow rates shown were obtained pumping water at 20C (68F) with zero suction and delivery heads.

Watson-Marlow, Bioprene and Marprene are trademarks of Watson-Marlow Limited.
 © Chem-Sure and © STA-PURE are registered trademarks of W.L. Gore & Associates Inc.

Disclaimer: The information contained in this document is believed to be correct but Watson-Marlow Limited accepts no liability for any errors it contains, and reserves the right to alter specifications without notice.

Please state the product code when ordering pumps and tubing.



Watson-Marlow Bredel Pumps
 37 Upton Technology Park
 Wilmington, MA 01887

Tel: 800 282 8823
 Fax: 978 658 0041

www.watson-marlow.com
 support@wmbpumps.com

wd-620-sudu-r-us-01