

840RG

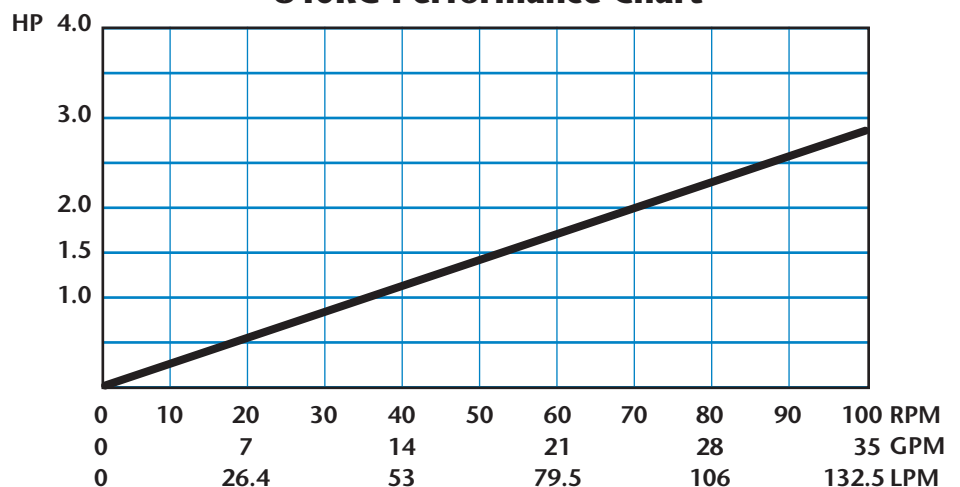
Sanitary Peristaltic Metering & Transfer Pump

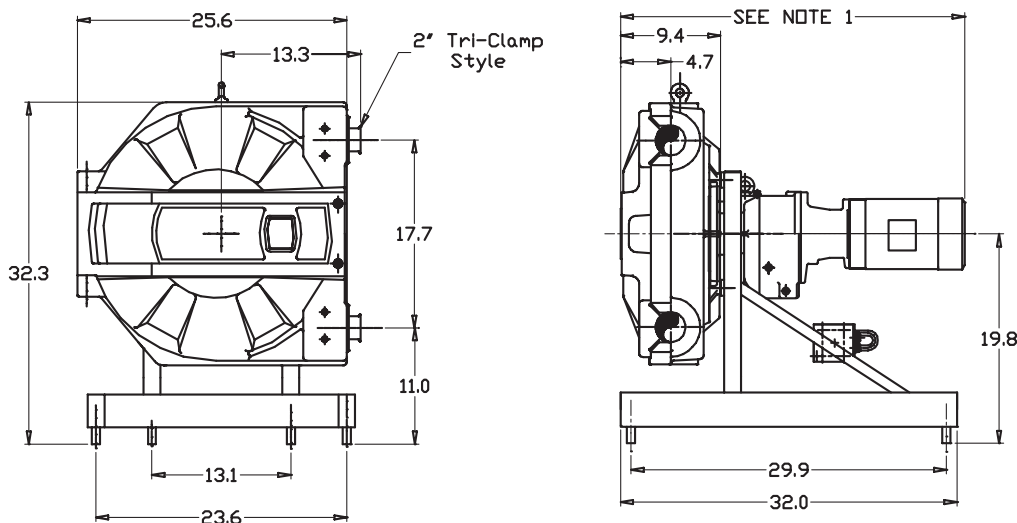


Technical Information and Features

- Flow rates up to 35 GPM (132.5 Liters/min) at discharge pressures up to 50 psi continuous, 100 psi intermittent
- Twin retractable rollers for SIP and CIP operation
- Fitted with USP Class VI Certified and FDA Approved Bioprene or StaPure tubing for sanitary operation
- The fluid being pumped does not contact mechanical parts or seals
- Reversible operation
- Only one wearing part: the tube
- Easily and completely cleanable with hinged cover for easy tube access
- No internal back flow (slip)
- Self priming to 95% vacuum
- Self priming/dry running
- Ideal for viscous or shear sensitive products
- Fixed speed, pneumatic, or electronic variable speed using optional AC Variable Frequency Drive
- Explosion proof motors available for Fixed Speed or Variable Speed operation
- Optional casters and pushbar for mobile applications

840RG Performance Chart





NOTES:

1. DIMENSION IS DEPENDENT ON SELECTION OF GEARBOX AND MOTOR
2. DIMENSIONS IN INCHES

840RG

Sanitary Peristaltic Metering & Transfer Pump

Specifications

- Displacement:** 0.35 gallons/rev (1.33 Liters/rev)
- Supply:** 230/460 or 575 VAC, 3-phase, up to 5 HP
- Operating Speeds:** Up to 109 rpm
- Fluid Temperature Range:** 0-80°C (-32°F to 175°F)
- Flow Range:** Up to 35 gpm (132.5 Liters/min)
- Discharge Pressure:** 50 psi continuous, 100 psi intermittent
- Suction Lift:** Up to 28 ft water
- *Available Hose Materials:** Bioprene™, Bioprene TH, StaPure™
- Available Connectors:** 2" Tri-Clamp style – 316SS or PVDF
2" Male Cam & Groove – 316SS
- Door Switch:** 50 Watt, 240 VAC max power
(not suitable for XP environments)
- Approximate Assembly Weight:** 525 Lbs

*TM = Medium Pressure
*TH = High Pressure

Materials of Construction

- Pumphead Body, Door, Rotor:** Aluminum alloy with white epoxy polyester powder coat finish
- Rollers:** 304 Stainless Steel
- All Hardware:** Stainless Steel
- Frame:** Brushed 304 Stainless Steel
- Element Retaining Clamps:** Aluminum



Watson-Marlow Bredel Pumps

37 UPTON TECHNOLOGY PARK, WILMINGTON, MA 01887-1018
TEL: 978-658-6168 / FAX: 978-658-0041
www.watson-marlow.com
support@wmbpumps.com

The information contained in this document is believed to be correct, but Watson-Marlow Bredel Pumps accepts no liability for any errors it contains, and reserves the right to alter specifications without notice.